

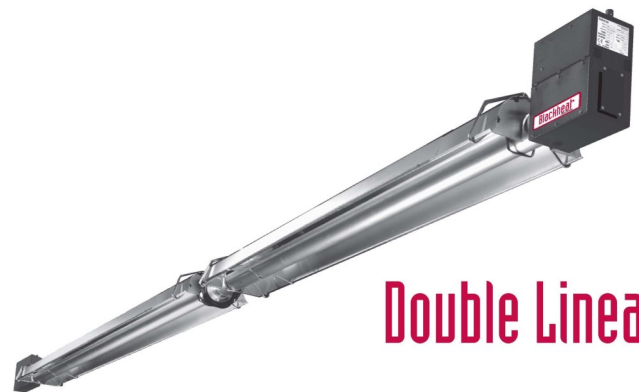
Blackheat[®]

RG ROBERTS GORDON

hnw
HURLL NU-WAY



U-Tube and Linear



Double Linear

On/Off & High/Low Radiant Tube Heaters
High Efficiency Reflectors to comply with Euro-
pean radiant seasonal efficiency of 74% [Lot
20—2018] and Burners with NOx emission less
than 100mg/kWh input

Australia & New Zealand Approval GMK 10568
[On/Off] or GMK 10569 [High/Low]



Heating solutions for the experience of summer in winter

Roberts Gordon infrared radiant heaters warm people, floors and objects, not the air... much like the Sun!



BENEFITS

- **Aesthetically pleasing:** Fits neatly with ceiling and blends with the contour of architectural lines, with the ability to vent to the outside.
- **Fuel efficient, quick heat recovery, low heating/electric costs.**
- **Minimal dust movement** as radiant heat does not move air.
- **Quiet, comfortable, gentle, uniform heat.**
- **Controlled heating for different zone requirements** with state of the art zone control units.
- **Flexible design options.**
- **Environmentally friendly:** Low emissions with clean burning Natural or Propane gas.
- **Frees valuable space** with low clearance to combustibles.
- **Reliable**—minimal maintenance.

RESTAURANTS & CAFES

Design flexibility is achieved with straight, U-tube or L configurations and a broad range of burner sizes and tube lengths.

Most objects retain heat, so that less heat is lost over time leading to reduced recovery time and reduced energy bills.



MULTI-PURPOSE HALLS

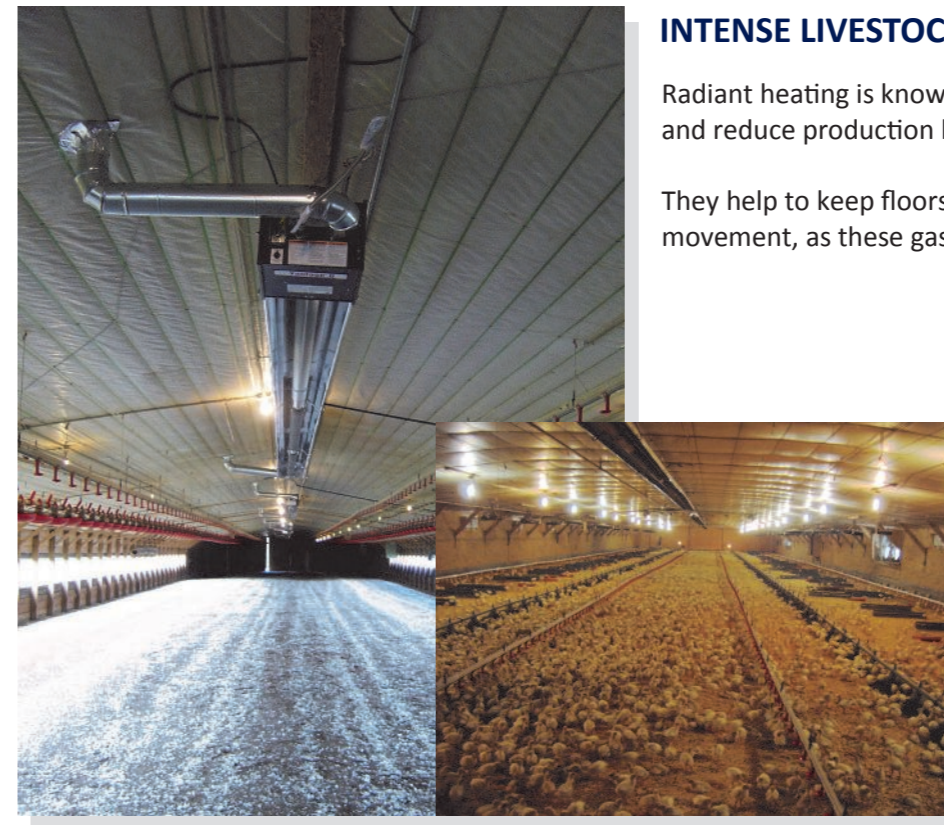
Gas-fired, radiant heaters are ideal for efficiently heating large open areas used for sport, assemblies, examinations, etc.



INTENSE LIVESTOCK FARMING & AGRICULTURE

Radiant heating is known to improve the welfare of the animal and reduce production losses.

They help to keep floors dry and create minimal dust movement, as these gas heaters do not move or heat air.

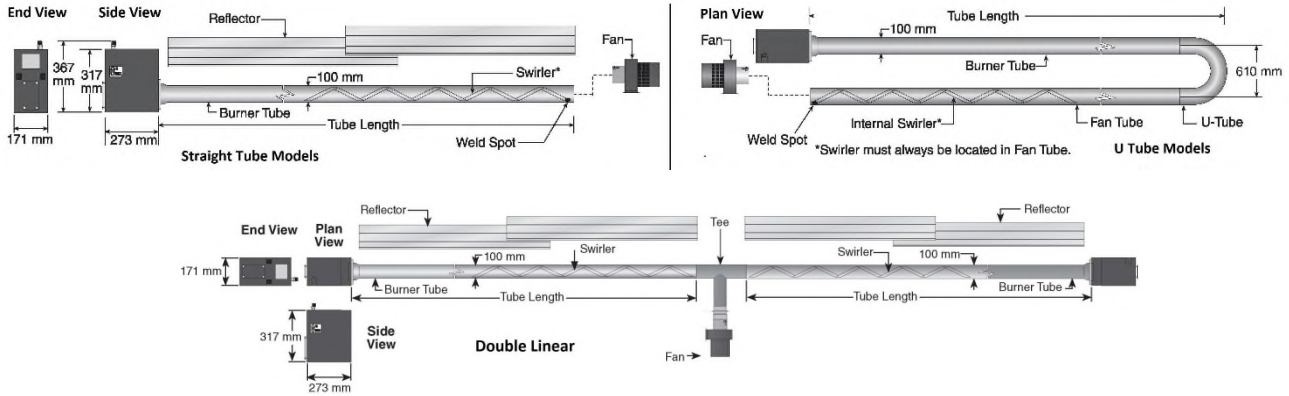


WORKSHOP

In aircraft hangars and workshops these heaters can be installed up to 25 metres high. This saves valuable floor space allowing for movement of large objects such as cranes below, keeps workers and their tools warm, and provides more room.



BLACKHEAT Technical Specifications ON/OFF & HIGH/LOW Models with High Efficiency Reflectors



	U-Tube & Straight [Linear]								Double Linear									
Model	15	20	25	30	35	40	45	50	30	40	50	60	70					
Fuel	Natural Gas or ULPG [Butane/Propane mix]																	
	Natural Gas Inlet Pressure Minimum = 1.13 kPa; ULPG Gas Inlet Pressure Minimum = 2.75 kPa. Maximum Inlet Pressure Either Gas = 5 kPa Supplied with Flex Hose [900mm], Gas Connection = 1/2" & Quarter Turn Isolating Valve [1/2"].																	
	Nominal High Fire Rating – All Models– Natural Gas or ULPG																	
kW	15	20	25	30	35	40	45	50	30	40	50	60	70					
MJ	54	72	90	110	125	138	162	180	110	144	180	220	250					
	Nominal Low Fire Rating – High/Low Models ONLY – Natural Gas																	
MJ	44	58	72	87	98	106	123	135	88	116	144	174	212					
	Nominal Low Fire Rating – High/Low Models ONLY - ULPG																	
MJ	44	59	76	94	109	122	146	165	88	118	152	188	218					
	Governor Pressure [outlet to injector] kPa – All Models - High Fire																	
NG	0.75	0.75	0.75	0.75	0.75	0.75	0.75	0.75	0.75	0.75	0.75	0.75	0.75					
ULPG	2.50	2.50	2.50	2.50	2.50	2.50	2.50	2.50	2.50	2.50	2.50	2.50	2.50					
	Governor Pressure [outlet to injector] kPa – High/Low Models ONLY -Low Fire																	
NG	0.40	0.40	0.40	0.40	0.40	0.40	0.40	0.40	0.40	0.40	0.40	0.40	0.40					
ULPG	1.80	1.80	1.80	1.80	1.80	1.80	1.80	1.80	1.80	1.80	1.80	1.80	1.80					
	Minimum Installation Height – Metres [Exemption down to 2.7 m may apply to units with guarded 15- & 20-kW burner packs].																	
	3.5	3.5	4.0	4.7	5.0	5.0	5.0	5.0	3.5	3.5	3.5	4.0	4.6					
	U Tube				Straight				Double Linear									
Model	15	20/25	30/35/40	45/50	15	20/25	30/35/40	45/50	30	40/50	60/70							
	Length Overall – mm [Extended versions are available for some appliances].																	
	3822	5346	6870	8394	6661	9709	12757	15815	13462	19558	25654							
	Width Overall - mm																	
	1130				520				520									
Weight kg	39	54	66	96	41	55	68	81	82	110	136							
Electrical Supply	230V, 50Hz, 1 Phase, 2 Amp																	
Heat Exchanger Tubing	3m sections, 100mm dia. 1.6mm [16 Gauge], Heat Treated & Aluminised.																	
Exhaust Flue [Option]	100mm OD																	
Reflectors & End Caps	NS3H14 Aluminium 0.7mm or 0.6mm Stainless Steel [option]																	
Ignition	Fully Automatic, 3 try, Direct Spark, 100% Shut Off Ignition Flame Rectification Module, Volatile Lockout																	
Australia & NZ Approval	GMK 10568 [ON/OFF Models] & GMK 10569 [HIGH/LOW Models] to AS/NZS 5263.1.4 & CE Standard EN 416. Flued or Flueless Installation subject to site requirements																	
Accessories	Lockout Indication [Volt Free Relay Kit]; High/Low Control Switch Module/ Multiple heater and timer control modules.																	
Clearances to Combustibles mm	Refer to appliance installation manual for complete range of options. Standard installations as below and are from unprotected tube surface [not reflector].																	
	U Tube							Straight							Double Linear			
Model	15	20/25	30	35	40	45	50	15	20/25	30	35	40	45	50	30	40/50	60	70
	Horizontal Mount																	
Above	150	150	150	150	150	200	200	150	150	150	150	150	200	200	150	150	150	150
Below	1580	1730	1910	1980	2050	2110	2210	1570	1650	1760	1930	1970	2010	2080	1570	1650	1780	1930
Sides	760	940	1000	1090	1150	1200	1300	890	970	1020	1170	1220	1280	1330	890	970	1020	1170
	45° Mount																	
Above	200	200	200	200	200	200	200	200	200	250	250	275	300	300	200	200	250	250
Below	1500	1650	1860	1960	2040	2110	2160	1500	1660	1860	1960	2030	2110	2160	1500	1660	1860	1960
Rear	200	200	200	200	200	200	200	200	200	200	200	200	200	200	200	200	200	200
Face	1070	1170	1320	1550	1620	1680	1780	1370	1520	1630	1750	1820	1880	2000	1370	1520	1630	1750



Tel. +64 9 274 5111
 sales@nuwayenergy.co.nz
 www.nuwayenergy.co.nz
 PO BOX 58-319, Greenmount, Auckland
 6/123 Cryers Road, East Tamaki

HURLL NU-WAY PTY LTD
 Tel. +61 3 8561 1600
 Customer Service Ph 1300 556 380
 mail@hnw.com.au www.hnw.com.au
 PO BOX 339 / 14 Aristoc Road, GLEN WAVERLEY Vic 3150

